



Benefits / characteristics

- ◊ On-site Peroxide UltraPure™ generation
- ◊ Chemical-input free - Only water, electricity and air as inputs
- ◊ > 99.999 % purity Hydrogen Peroxide, zero additives
- ◊ Safe output concentration, low DC voltage
- ◊ Autonomous – fully automated operation
- ◊ Cost effective – saves chemicals, storage, handling
- ◊ Sustainable – Peroxide UltraPure™ breaks down to pure water and oxygen. Offsets up 3 Ton CO₂eq / Ton Peroxide.

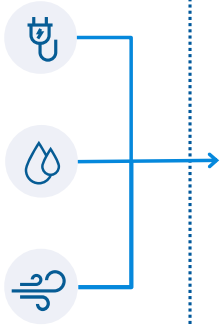
Performance data	GOgen A1000	GOgen A3000
Throughput [maximum g net Peroxide UltraPure™/day]	1000	3000
Volume of Peroxide UltraPure™ produced per day [L/day]	100	300
Output Peroxide UltraPure™ Concentration [%] ¹	1 %	
Inputs		
Power consumption [kW]	1.3	2.6
Minimum circuit breaker Only the GOgen unit should be connected to the circuit breaker to ensure proper operation	>16A, able to handle continuous operation at the above power	
Power inlet	Single phase 220V/50Hz or 240V/60Hz <i>It is strongly recommended to connect GOgen via a 1.2 kWh UPS</i>	
Water consumption [m ³ /day]	Municipal-grid drinking water / Reverse Osmosis ²	
	0.5 / 0.1	1.5 / 0.3
Water connections on back	3/8" quick connect for water feed and 1/2" quick connect for peroxide output	
Dimensions		
Length x Width x Height [mm]	802 x 623 x 1514	
Weight [kg]	100	
IP rating (cabinet)	IP54	
Operating range		
Feed water pressure [bar]	0 – 4	
Environment	Indoors	
Water temperature [°C]	10 – 25	
Ambient temperature [°C]	3 – 35	
Humidity [RH%]	0 – 70	
Electrodes		
Core Technology	Proprietary HPNow catalyzed membrane technology. Liquid-electrolyte free.	

1. Output concentration can vary by up to +/- 20%
2. Water consumption depends on input water quality. Water may be reused to decrease consumption. Additional water pre-treatment components may be required if input water quality deviates from recommended values. Please consult with HPNow.



GOgen operational overview

Inputs



GOgen



Output and line feed

Peroxide UltraPure™
reservoir (1%)



Dosing pump
to water line



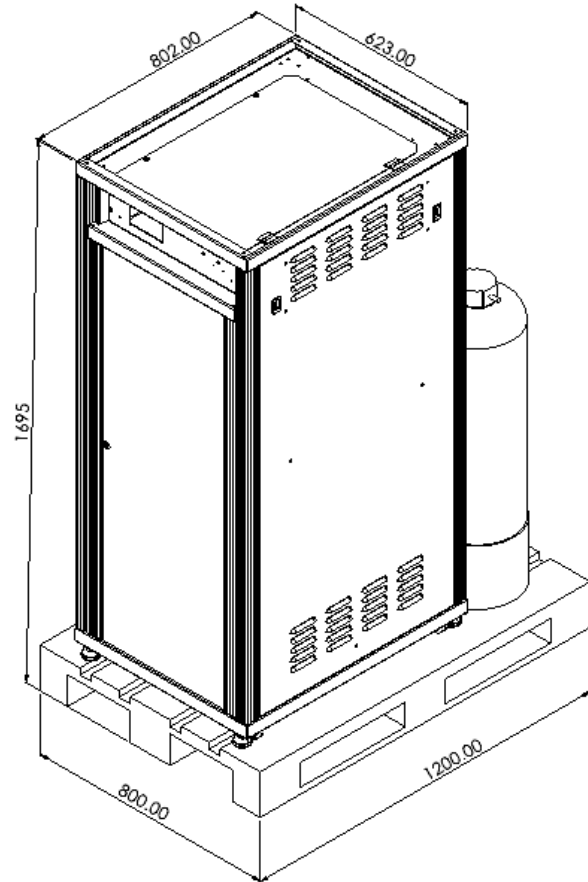
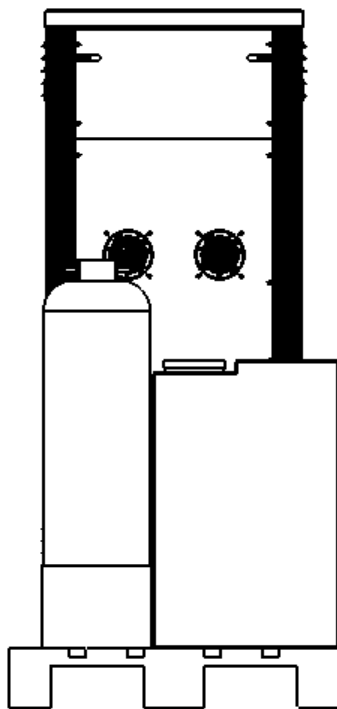
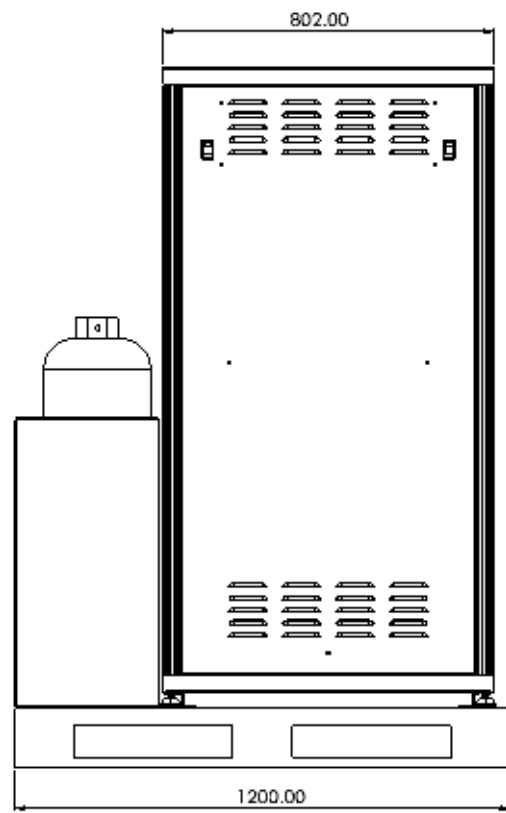
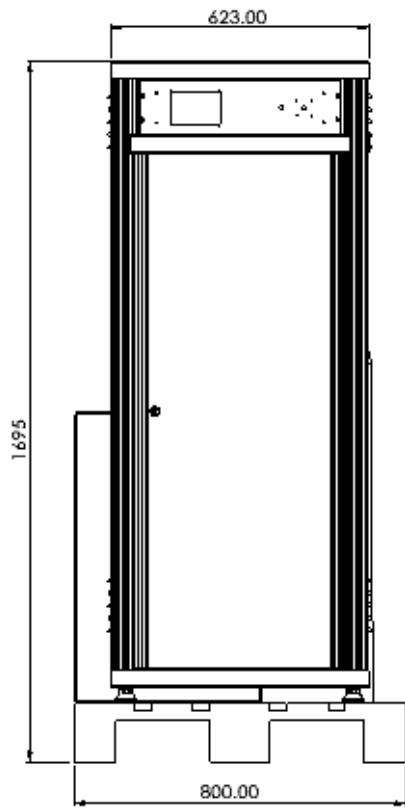
Point of
use

✓ Autonomous

✓ Supply-security

✓ Safe

✓ Sustainable



A free space of at least 90 cm in the front, and 60 cm around the unit in other directions is recommended to facilitate maintenance procedures.



Input Water Specifications

Parameter	Recommended values (maximum amounts)*
General	
Conductivity [$\mu\text{s}/\text{cm}$]	800
Turbidity [NTU]	1
SDI (15 min) [mg/L]	0.05
Hardness [$^{\circ}\text{dH}$]	8 (water softener recommended with harder water)
Anions	
Nitrates (NO_3^-) [mg/L]	10
Chloride (Cl^-) [mg/L]	100
Fluoride (F^-) [mg/L]	1
Sulfate (SO_4^{2-}) [mg/L]	80
Bicarbonate (HCO_3^-) [mg/L]	350
Cations	
Calcium (Ca) [mg/L]	80
Sodium (Na) [mg/L]	50
Magnesium (Mg) [mg/L]	25
Iron (Fe), Copper (Cu), Manganese Mn) [mg/L]	1
Others	
Hydrogen sulfide (H_2S) [mg/L]	0.5



HPGen™ is determined by the U.S. EPA as a pesticide device which does not require registration under FIFRA.

HPGen™ is **not** intended for biocidal applications in the EU under the EU Biocidal Products Regulation.



